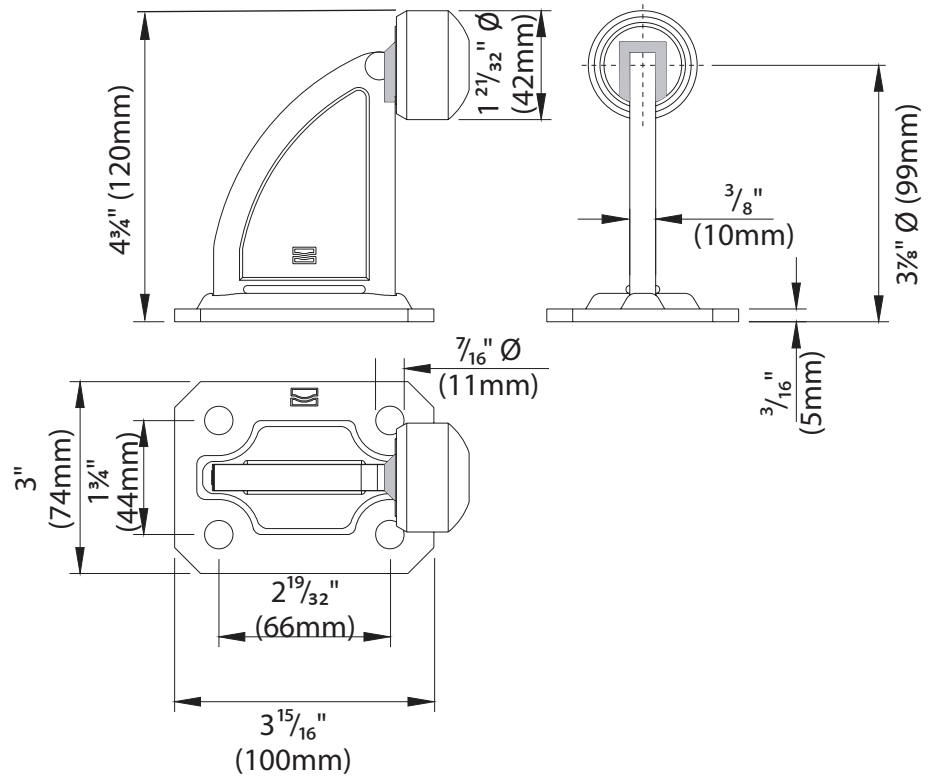


Runaway Stop Mounted via screws, 4-3/4" high



USE: Travel stop for gates.

TYPE: "Tris" triple function strike for fixing.

FIXING: For fixing with special plugs (not supplied).

MATERIAL: Body in electrogalvanised steel, cap in nylon.

RECYCLING: Disposal of body as ferrous material and plugs as plastic material in accordance with the current laws in the country of installation.

PARTS SUBJECT TO WEAR: Cap

IMPORTANT: The manufacturer reserves the right to modify the characteristics of the product as required without notice. The manufacturer declines any liability for even partial modifications to the product, and the declared performance values are valid only if the installation procedures are carried out by qualified personnel.

TECHNICAL CHARACTERISTICS				
				202
WEIGHT OF PART				0,72 Kg
MAX. IMPACT AT 0.3 m/s				2000 Kg
MAINTENANCE FREQUENCY				
PRIVATE HOME	BUSINESS	WAREHOUSE	CONDOMINIUM <20 UNITS	CONDOMINIUM >20 UNITS
1 YEAR *	1 YEAR *	1 YEAR *	6 MONTHS *	6 MONTHS *
Check the Nylon cap. Check for any deformation on the striker.				
Check fixing.				
*The scheme refers to a normal workplace (not marine or particularly aggressive environments).				

Illustrations not to scale and are for reference only. Imperial units shown are for reference only, use millimeters for most accurate sizes.

All pictures, technical drawings and related specifications belong to Fratelli Comunello Spa and they are defended by rules of copyright. All uses not expressly authorized will be legally prosecuted. Product specifications are subject to change without notice.

