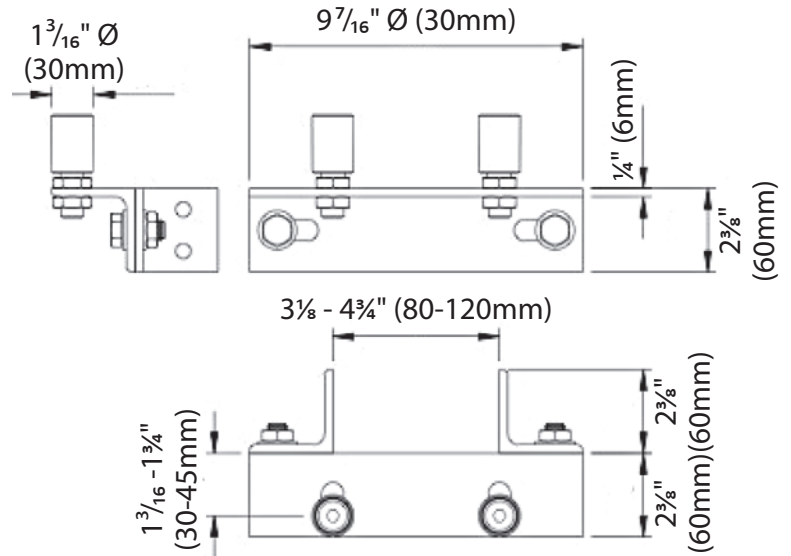
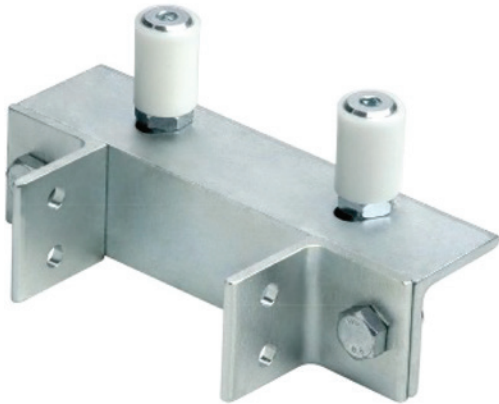


258-30

Double Nylon Roller, 1/4" dia. galvanized bracket



USE: Guide plate for sliding gates.

TYPE: Adjustable internal gate guide plate for fixing.

FIXING: For fixing with special brackets.

MATERIAL: Body in electrogalvanised steel and rollers in nylon.

RECYCLING: Dispose of the body as ferrous material and the rollers as plastic material in accordance with the current laws in the country of installation.

PARTS SUBJECT TO WEAR: Rollers.

IMPORTANT: The manufacturer reserves the right to modify the characteristics of the product as required without notice. The manufacturer declines any liability for even partial modifications to the product, and the declared performance values are valid only if the installation procedures are carried out by qualified personnel. The roller does not have a load-bearing function, in only having to guide the sash vertically during its sliding movement. It must only be able to withstand minor impacts or sudden unbalancing (wind gusts, light impacts).

| TECHNICAL CHARACTERISTICS | | | | |
|--|----------|-----------|-----------------------|------------------------|
| | | | | 258-30 |
| WEIGHT OF PART | | | | 2,40 Kg |
| ROLLER AXIS-POST MIN. DISTANCE | | | | 30 mm |
| ROLLER AXIS-POST MAX. DISTANCE | | | | 45 mm |
| MAINTENANCE FREQUENCY | | | | |
| PRIVATE HOME | COMPANY | WAREHOUSE | CONDOMINIUM <20 UNITS | CONDOMINIUM > 20 UNITS |
| 2 YEARS* | 2 YEARS* | 2 YEARS* | 1 YEAR* | 1 YEAR* |
| Check rollers. | | | | |
| Check fixing of brackets. | | | | |
| *The scheme refers to a normal workplace (not marine or particularly aggressive environments). | | | | |

Illustrations not to scale and are for reference only. Imperial units shown are for reference only, use millimeters for most accurate sizes.

All pictures, technical drawings and related specifications belong to Fratelli Comunello Spa and they are defended by rules of copyright. All uses not expressly authorized will be legally prosecuted. Product specifications are subject to change without notice.

HTC

