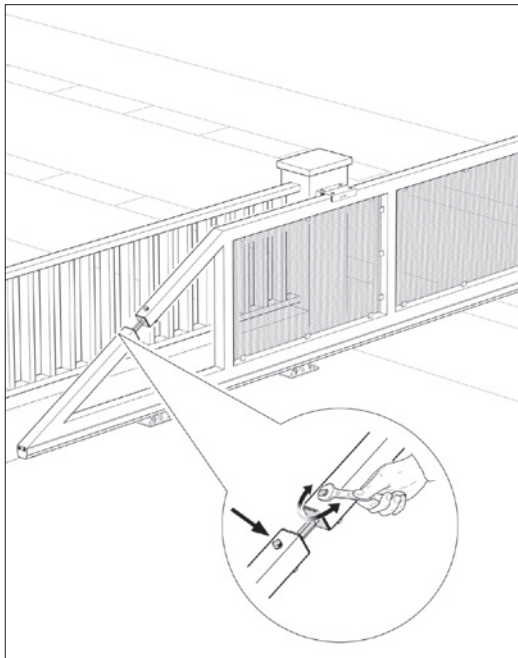
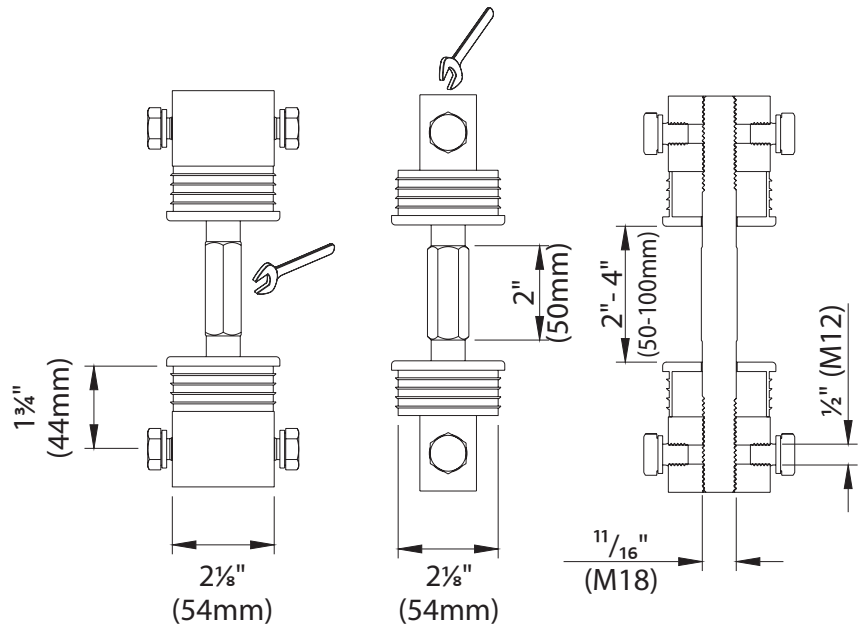
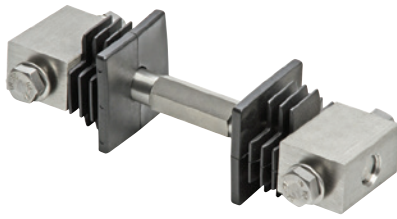


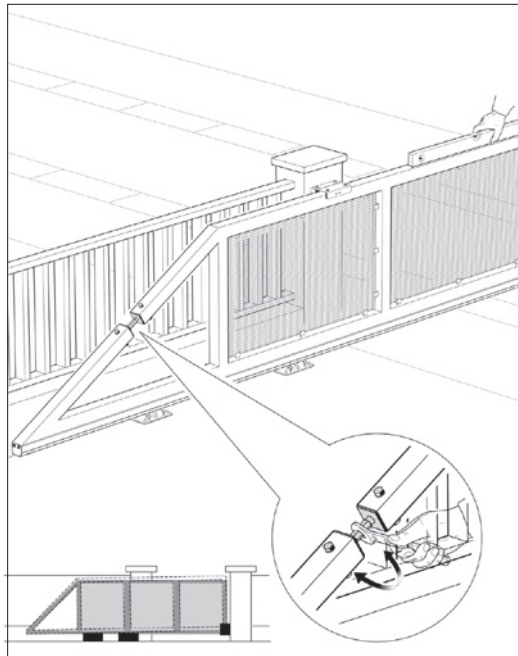
CGI-40

Tension Bar, Stainless Steel



The tension bar can be used for minor adjustment of gate sag

The tension bar is stainless steel and fits 50mm metric tubing, USA 2-1/2" sq. min. (shimmed). The tension bar offers turnbuckle action. The tension bar is recommended for double gates to simplify aligning the tops of the gates where they meet in the center, and for gates longer than 40 feet where gate sag becomes exaggerated.



USE: Brace for gate adjustment.

FIXING: For fixing to the end tube of self-supporting gates with the special screws.

MATERIAL: Body in galvanized steel and nylon plugs.

RECYCLING: Disposal of body as ferrous material and plugs as plastic material in accordance with the current laws in the country of installation.

IMPORTANT: The manufacturer reserves the right to modify the characteristics of the product as required without notice. The manufacturer declines any liability for even partial modifications to the product, and the declared performance values are valid only if the installation procedures are carried out by qualified personnel.

Overtightening of the brace can damage the structure of the gate.

MAINTENANCE FREQUENCY: This article does not require any type of maintenance. Check its functionality and replace the product if necessary.

TECHNICAL CHARACTERISTICS	
MODEL	CG-40
WEIGHT OF PART	1,30 Kg
TUBULAR REQUIRED	SQUARE 60X60X3

Illustrations not to scale and are for reference only. Imperial units shown are for reference only, use millimeters for most accurate sizes.

All pictures, technical drawings and related specifications belong to Fratelli Comunello Spa and they are defended by rules of copyright. All uses not expressly authorized will be legally prosecuted. Product specifications are subject to change without notice.