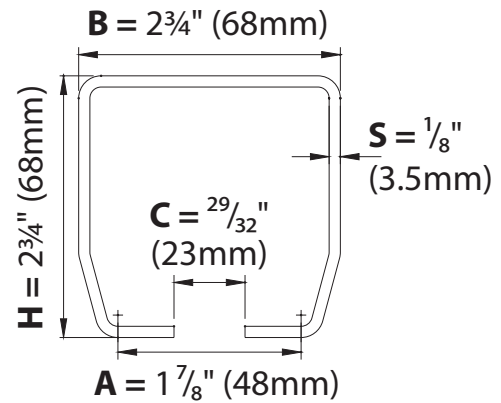


CGS-345M

Small Galvanized Track



CGS-345M Track for use with CGS-500.8M Carriage										
MODEL TRACK	A		B		C		H		S	
	BOTTOM ID		TOP WIDTH		OPENING SLOT		HEIGHT		THICKNESS	
	Inch	mm	Inch	mm	Inch	mm	Inch	mm	Inch	mm
CGS-345M	1 7/8	48	2 3/4	68	29/32	23	2 3/4	68	1/8	3.5

Galvanized steel track lengths available in 3M and 6M

USE: Monorail for self-supporting gates.
 TYPE Monorail for carriages in steel.
 FIXING: For welding under the lower upright of gate.
 MATERIAL: Steel.
 RECYCLING: Disposal as ferrous material in accordance with the current laws in the country of installation.
 PARTS SUBJECT TO WEAR: Surfaces of contact between rail and carriage wheels.
 IMPORTANT: The manufacturer reserves the right to modify the characteristics of the product as required without notice. The manufacturer declines any liability for even partial modifications to the product, and the declared performance values are valid only if the installation procedures are carried out by qualified personnel.

TECHNICAL CHARACTERISTICS				
	CGS-345M	CGS-345P	CGS-345G	
WEIGHT PER METRE	6,08 Kg/m	11,66 Kg/m	22,33 Kg/m	
COMBINED CARRIAGES	CGS-350.5M	CGS-350.5P	CGS-350.5G	
	CGS-350.8M	CGS-350.8P	CGS-350.8G	
	CGS-250.5M	CGS-250.5P	CGS-250.5G	
	CGS-250.8M	CGS-250.8P	CGS-250.8G	
	CGS-150.5M	CGS-150.5P	CGS-150.5G	
	CGS-245M	CGS-245P	CGS-245G	
WEIGHT PER METRE	6,08 Kg/m	11,66 Kg/m	22,33 Kg/m	
COMBINED CARRIAGES	CGS-150.5M	CGS-150.5P	CGS-150.5G	
MAINTENANCE FREQUENCY				
PRIVATE HOME	BUSINESS	WAREHOUSE	CONDOMINIUM <20 UNITS	CONDOMINIUM >20 UNITS
2 YEAR*	2 YEAR*	2 YEAR*	1 YEAR*	1 YEAR*
Clean inside lower edges of monorail				
Check for any deformation on body. Check welds.				
*The scheme refers to a normal workplace (not marine or particularly aggressive environments).				

Illustrations not to scale and are for reference only. Imperial units shown are for reference only, use millimeters for most accurate sizes.

All pictures, technical drawings and related specifications belong to Fratelli Comunello Spa and they are defended by rules of copyright. All uses not expressly authorized will be legally prosecuted. Product specifications are subject to change without notice.

The track can be attached to the gate by welding or mechanically fastening.

You can attach the wood frame to the galv. steel track in a few different ways:

- 1) Bolt/screw on the gate frame - drill up and thru the top of the cantilever track and bolt the frame to the track. Caution - use counter sinking bolts/screws so that nothing protrudes into the track cavity or carriage wheels will get stuck and the gate will not slide.
- 2) Weld small steel tabs (2" x 3" or similar size) with bolt holes along both edges of the track (like alligator skin). Bolt thru these into the gate frame.
- 3) Bolt a length of steel flat bar (or 2x steel L-angle iron) along the bottom length of the gate frame, then weld this flat bar to the top of the cantilever track. For added bond, use epoxy along the length of the flat bar.

