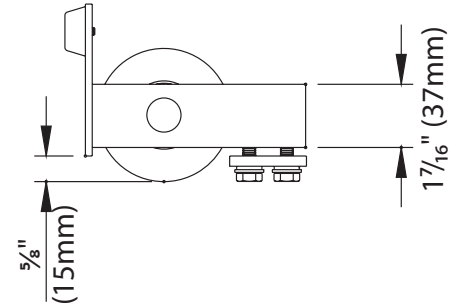
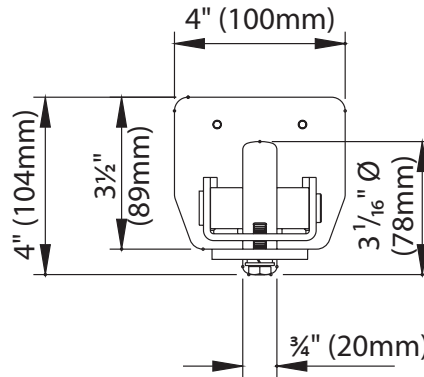
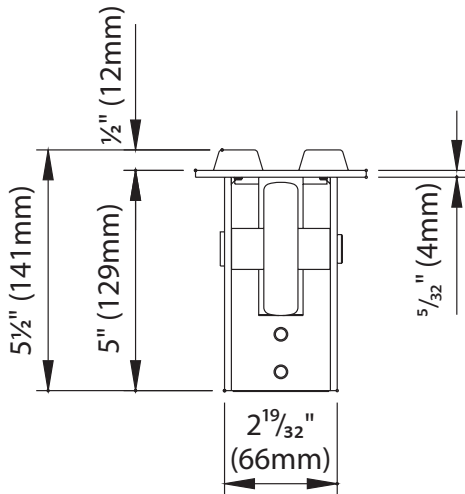


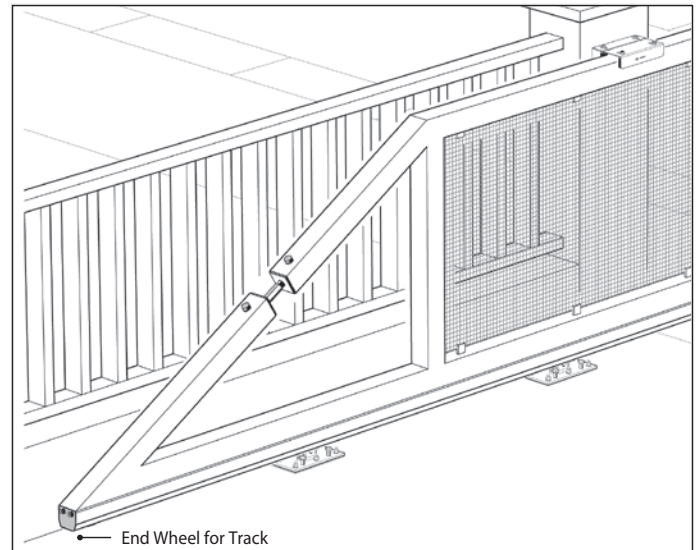
CGS-347P

End Wheel for Track, Galvanized

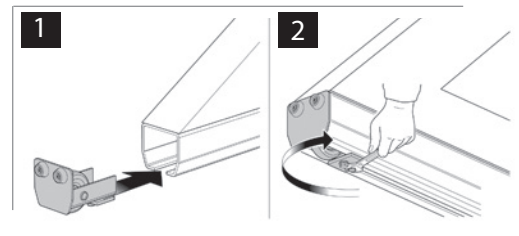


USE: Terminal with wheel for monorail.
 FIXING: Tighten the fixing plate below the edges of the monorail.
 RECYCLING: Disposal as ferrous material in accordance with the current laws in the country of installation.
 IMPORTANT: The manufacturer reserves the right to modify the characteristics of the product as required without notice. The manufacturer declines any liability for even partial modifications to the product, and the declared performance values are valid only if the installation procedures are carried out by qualified personnel.
 MAINTENANCE FREQUENCY: This article does not require any type of maintenance. In case of product replacement, check its functionality.

TECHNICAL CHARACTERISTICS				
	CGS-347M	CGS-347P	CGS-347G	CGI-347P
WEIGHT OF PART	1,00 Kg	1,70 Kg	4,15 Kg	1,70 Kg
MATERIAL	Galvanised steel	Galvanised steel	Galvanised steel	Stainless steel
COMBINED MONORAIL	CGS-345M CGS-245M	CGS-345P CGS-245P	CGS-345G CGS-245G	CGI-345P
COMBINED STRIKER PLATE	CGS-346M	CGS-346P	CGS-346G	CGI-346P



End Wheel for Track



Illustrations not to scale and are for reference only. Imperial units shown are for reference only, use millimeters for most accurate sizes.

All pictures, technical drawings and related specifications belong to Fratelli Comunello Spa and they are defended by rules of copyright. All uses not expressly authorized will be legally prosecuted. Product specifications are subject to change without notice.