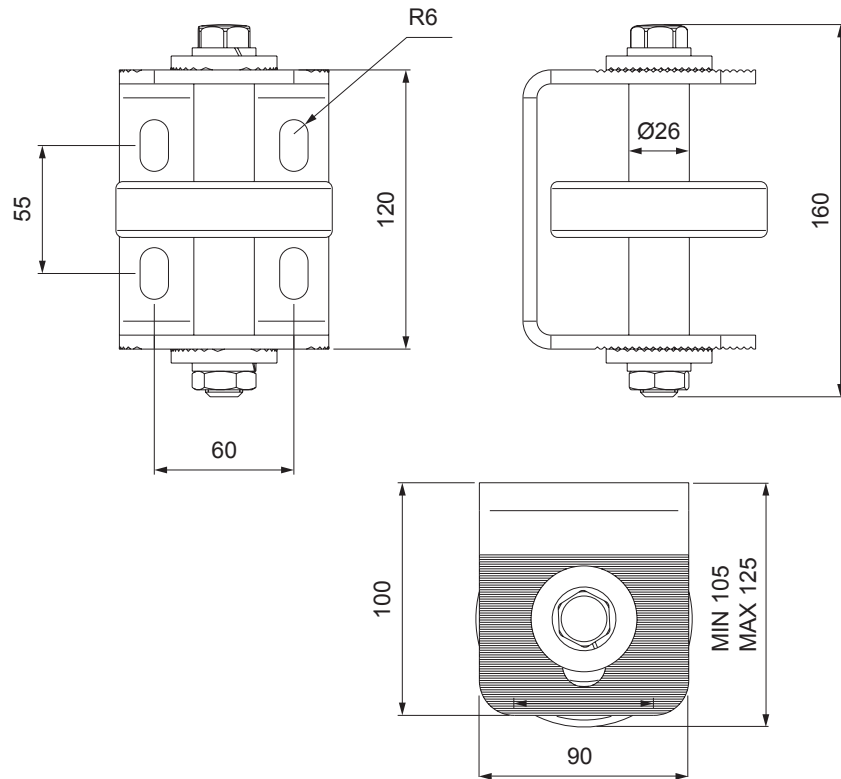


CGS-499

1100 lb. load capacity roller guide
(use in pairs)



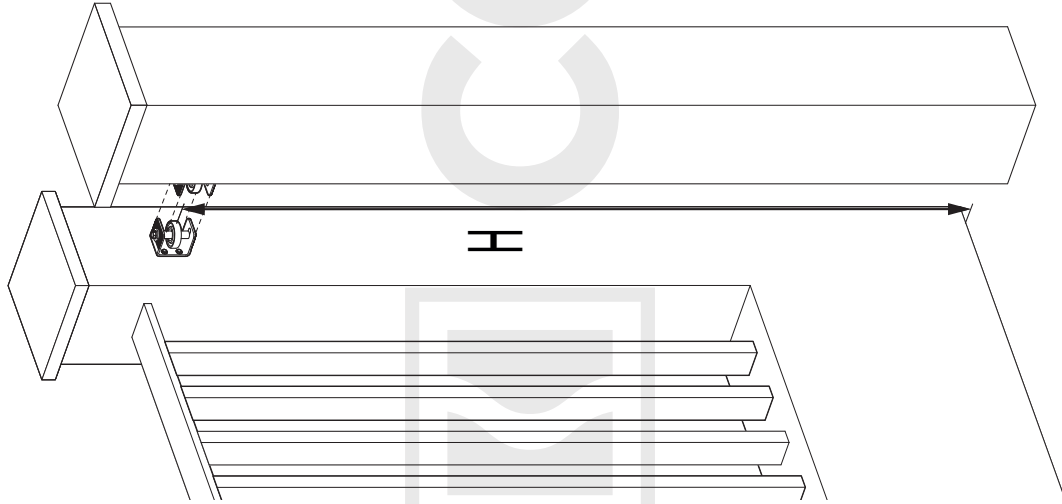
USE: Guide plate for sliding gates and self-supporting.
 TYPE: Gate guide wheel.
 FIXING: For fixing.
 MATERIAL: Body in electrogalvanised steel and rollers in nylon.
 RECYCLING: Dispose of the body as ferrous material and the rollers as plastic material in accordance with the current laws in the country of installation.
 PARTS SUBJECT TO WEAR: Rollers/Bearing.
 IMPORTANT: The manufacturer reserves the right to modify the characteristics of the product as required without notice. The manufacturer declines any liability for even partial modifications to the product, and the declared performance values are valid only if the installation procedures are carried out by qualified personnel.

TECHNICAL CHARACTERISTICS				
WEIGHT OF PART		CGS-499-20K 2 Kg		
MAINTENANCE FREQUENCY				
PRIVATE HOME	COMPANY	WAREHOUSE	CONDOMINIUM <20 UNITS	CONDOMINIUM > 20 UNITS
2 YEARS*	2 YEARS*	2 YEARS*	1 YEAR*	1 YEAR*
<ul style="list-style-type: none"> • Normal working environment, maintenance related to a normal working environment (not marine or particularly aggressive one). • Check the condition of the bearing and wheel. • Check the fastening stability. 				
Side reach	Fmax = 500 Kg			

Illustrations not to scale and are for reference only. Imperial units shown are for reference only, use millimeters for most accurate sizes.

All pictures, technical drawings and related specifications belong to Fratelli Comunello Spa and they are defended by rules of copyright. All uses not expressly authorized will be legally prosecuted. Product specifications are subject to change without notice.

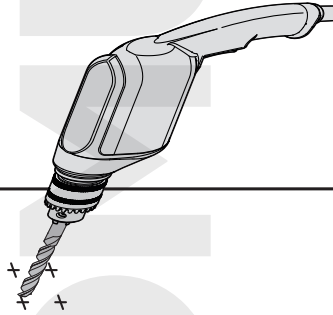
1



2



3



4

