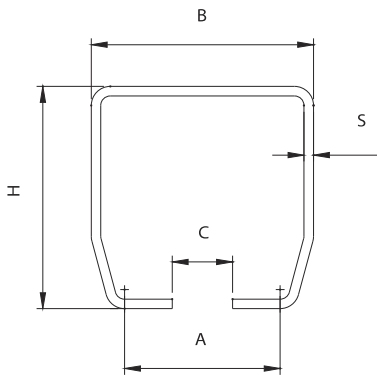
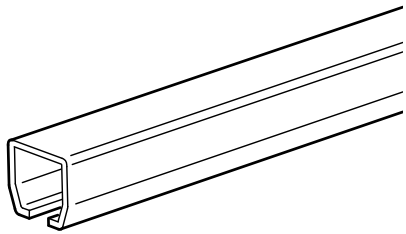


## Art. CGI-345P



Art.		INOX	A	B	C	H	S	L		
CGI-345P	little	10207505	66,5	100	33	89	5	3000	1	35,00
CGI-345P	little	10207507	66,5	100	33	89	5	6000	1	70,00

## EN

USE: Monorail for self-supporting gates.

TYPE Monorail for carriages in stainless steel.

FIXING: For welding under the lower upright of gate.

MATERIAL: Stainless steel.

RECYCLING: Disposal as ferrous material in accordance with the current laws in the country of installation.

PARTS SUBJECT TO WEAR: Surfaces of contact between rail and carriage wheels.

IMPORTANT: The manufacturer reserves the right to modify the characteristics of the product as required without notice. The manufacturer declines any liability for even partial modifications to the product, and the declared performance values are valid only if the installation procedures are carried out by qualified personnel.

TECHNICAL CHARACTERISTICS				
	CGI-345P			
WEIGHT PER METRE	11,66 Kg/m			
COMBINED CARRIAGES	CGI-350.5P			
MAINTENANCE FREQUENCY				
PRIVATE HOME	BUSINESS	WAREHOUSE	CONDOMINIUM <20 UNITS	CONDOMINIUM > 20 UNITS
2 YEAR *	2 YEAR *	2 YEAR *	1 YEAR *	1 YEAR *
Clean inside lower edges of monorail				
Check for any deformation on body. Check welds.				
*The scheme refers to a normal workplace (not marine or particularly aggressive environments).				

