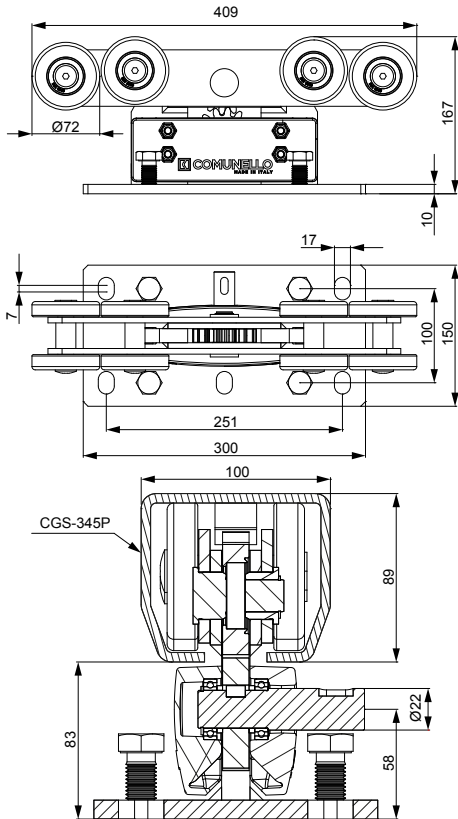
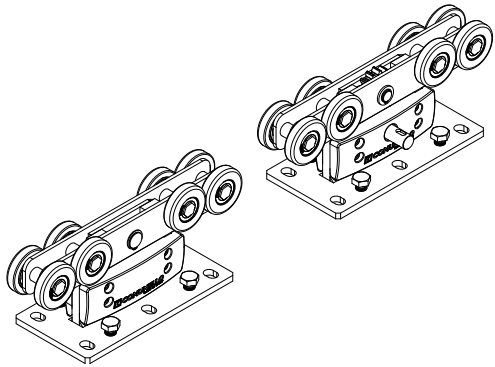


CGS-500.8 P



ENGLISH:

USE: Carriages with integrated transmission for cantilever gates.

TYPE: 8 wheel Integrator Master & Slave carriages kit.

FIXING: Use 6 + 6 anchor bolts CG-348 M16 or appropriate anchors (both not supplied). For the dimensions of the concrete base, see ta-ble 01. The base allows height adjustment using the 4 M16 screws and the special counter-plate CG-05.

MATERIAL: Electrolytically Galvanized Steel and Painted Aluminum.

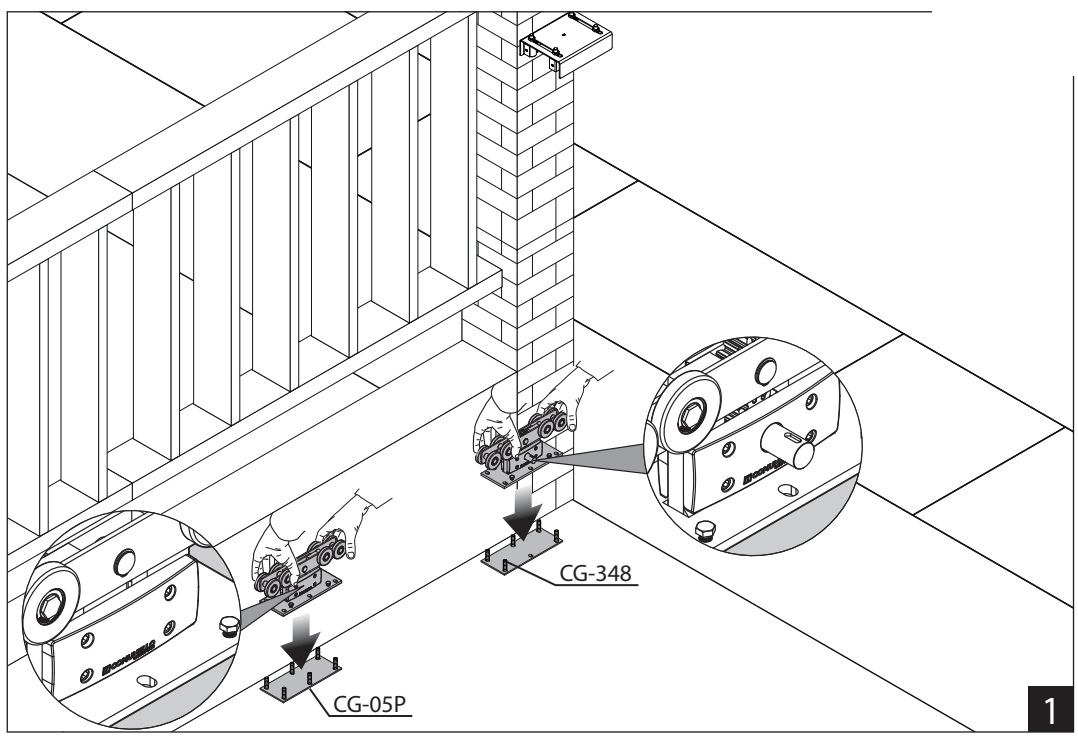
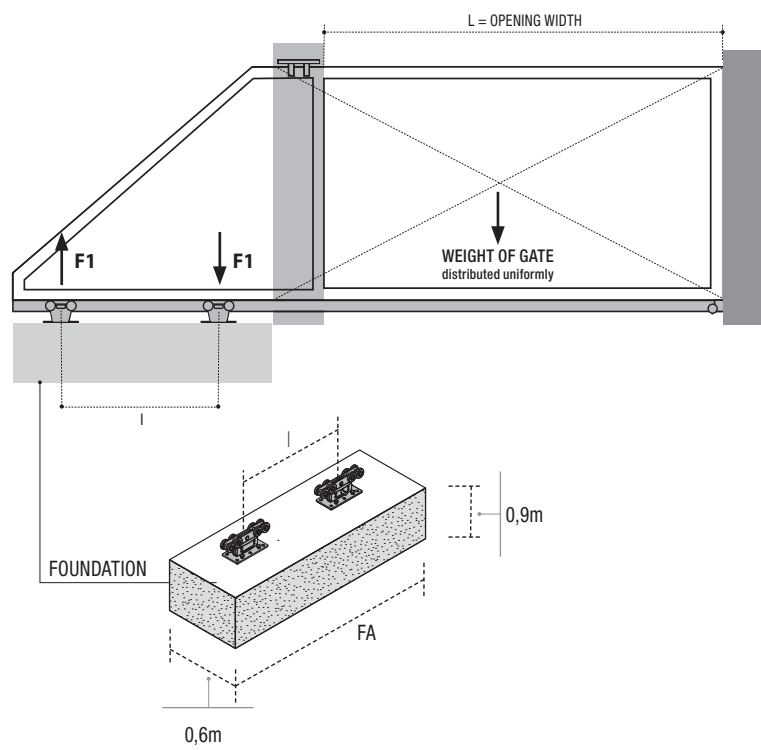
RECYCLING: Dispose of the main structure (wheels, plates and pins) as ferrous material and the side protections as aluminum, according to the laws of the country of installation.

PARTS SUBJECT TO WEAR: Bearings, wheels and gears.

WARNINGS: The manufacturer reserves the right to change the characteris-tics of the product according to their needs without prior notice. The manufacturer is not liable for even partial modifications of the product and the declared performances are valid only if the installation methods indicated in the instructions and performed by qualified personnel are followed.

TECHNICAL CHARACTERISTICS				
WEIGHT OF PART		58.3 Lbs / 26.5 Kg		
CAPACITY (maximum force on the carriage axis), IT IS NOT THE WEIGHT OF THE GATE		F1 max 4400 Lb/f 2000 Kg/f		
COMBINABLE COMPONENTS		CGS-345P		
MAINTENANCE FREQUENCY				
PRIVATE HOME	BUSINESS	WAREHOUSE	CONDOMINIUM <20 UNITS	CONDOMINIUM >20 UNITS
2 YEAR*	2 YEAR*	1 YEAR*	6 MONTHS*	6 MONTHS*
Check the functionality and integrity of carriages.				
Clean lower area of contact between wheels and rail				
Make sure the carriages are integral with the concrete base				
Grease the gears with the appropriate grease (FIG.4)				
Check gears and racks wear				
Check fastening of the locking screws of the rack to the monorail				
*The scheme refers to a normal workplace (not marine or particularly aggressive environments).				

Art.		Code		
CGS-500.8.P	PICCOLO	10131501 001	1	26,5



TAB.01

CSG - 500.8 P (F1max=2000 Kg)												
WEIGHT (Kg)	L=3 [m]		L=4 [m]		L=5 [m]		L=6 [m]		L=7 [m]		L=8 [m]	
	FA [m]	l [m]	FA [m]	l [m]	FA [m]	l [m]	FA [m]	l [m]	FA [m]	l [m]	FA [m]	l [m]
100	1.5	0.8	1.7	1.0	2.0	1.3	2.2	1.5	2.5	1.8	2.7	2.0
150	1.5	0.8	1.7	1.0	2.0	1.3	2.2	1.5	2.5	1.8	2.7	2.0
200	1.5	0.8	1.7	1.0	2.0	1.3	2.2	1.5	2.5	1.8	2.7	2.0
250	1.5	0.8	1.7	1.0	2.0	1.3	2.2	1.5	2.5	1.8	2.7	2.0
300	1.5	0.8	1.7	1.0	2.0	1.3	2.2	1.5	2.5	1.8	2.7	2.0
350	1.5	0.8	1.7	1.0	2.0	1.3	2.2	1.5	2.5	1.8	2.7	2.0
400	1.5	0.8	1.7	1.0	2.0	1.3	2.2	1.5	2.5	1.8	2.7	2.0
450	1.5	0.8	1.7	1.0	2.0	1.3	2.2	1.5	2.5	1.8	2.7	2.0
500	1.5	0.8	1.7	1.0	2.0	1.3	2.2	1.5	2.5	1.8	2.7	2.0
550	1.5	0.8	1.7	1.0	2.0	1.3	2.2	1.5	2.5	1.8	2.8	2.1
600	1.6	0.9	1.8	1.1	2.1	1.4	2.4	1.7	2.7	2.0	3.0	2.3
650	1.7	1.0	2.0	1.3	2.3	1.6	2.6	1.9	3.0	2.3	3.3	2.6
700	1.8	1.1	2.1	1.4	2.5	1.8	2.8	2.1	3.2	2.5	3.6	2.9
750	1.9	1.2	2.3	1.6	2.7	2.0	3.1	2.4	3.5	2.8	3.9	3.2
800	2.0	1.3	2.4	1.7	2.9	2.2	3.3	2.6	3.8	3.1	4.3	3.6

