

CG-55M

ENGLISH:

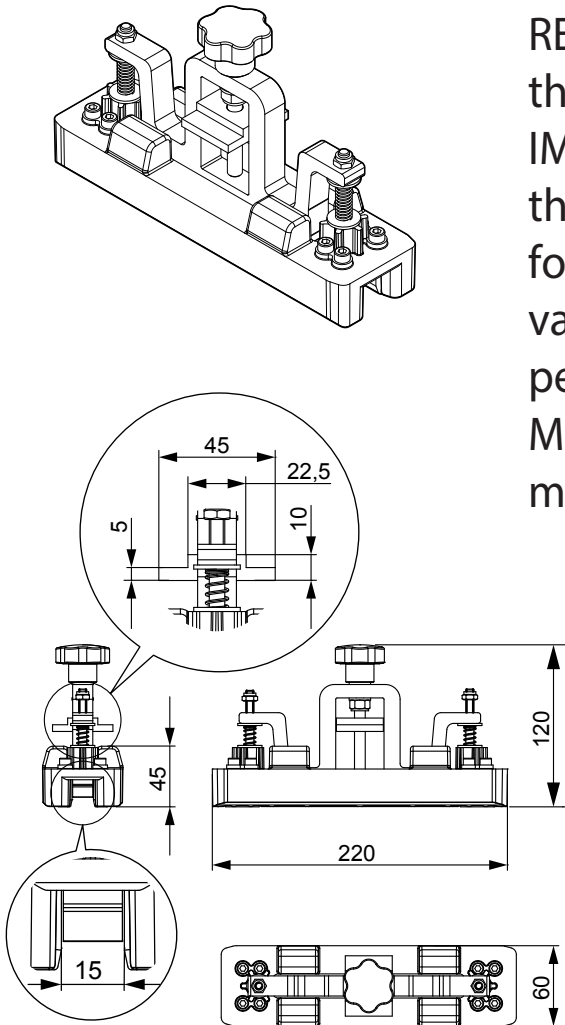
USE: Rack fixing template kit.

FIXING: Fasten the template inside the monorail to align and secure the rack.

RECYCLING: Disposal as ferrous material in accordance with the current laws in the country of installation.

IMPORTANT: The manufacturer reserves the right to modify the characteristics of the product as required without notice. The manufacturer declines any liability for even partial modifications to the product, and the declared performance values are valid only if the installation procedures are carried out by qualified personnel.

MAINTENANCE FREQUENCY: This article does not require any type of maintenance. Check its functionality and replace the product if necessary.



TECHNICAL CHARACTERISTICS	
	CG-55M
WEIGHT OF PART	4.84 Lbs / 2.2 Kg
MATERIAL	Steel - Plastic
COMBINED CARRIAGES	CG-50M CGS-345M

Art.		Code		
CG-55M	mini	10131103 001	2	2,2

